

Product Features

- Low Noise Figure
- High Reliability
- High Linearity
- Single Supply Voltage
- Small size by using simple matching circuit board
- High Productivity
- Hybrid Amplifiers on Ceramic Board
- Competitive Price

Application

- CDMA, WCDMA Repeater
- Base Station
- RF Sub-Systems



Description

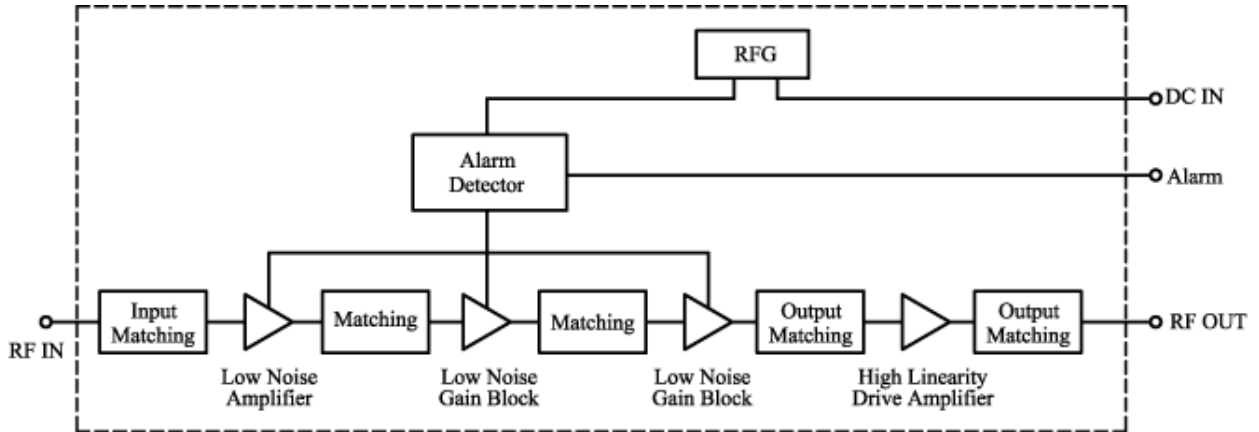
This LNA Module is a high gain, ultra low noise amplifier module. It has superior performance comes with a modest price tag.

Specifications

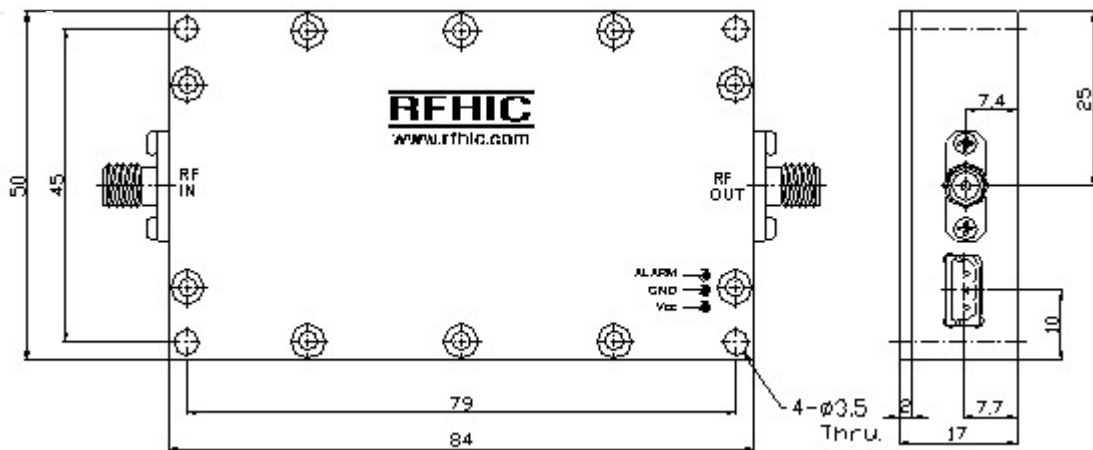
(Operating Temperature: -30°C~+70°C)

PARAMETER	RFL-1745R	RFL-1745T	RFL-2140R	RFL-2140T
Frequency Range	1750~1780 MHz	1840~1870 MHz	1920~1980MHz	2110~2170MHz
Bandwidth	30MHz		20MHz	
Gain	45dB ± 0.5dB		40dB ± 0.5dB	
Gain Flatness	± 0.5dB			
VSWR	1.3 : 1			
Noise Figure(max)	1.0dB			
OIP3(max)	38dBm			
Current(max)	400mA		450mA	
Supply Voltage	8~12V			
Current Alarm	Normal : TTL High, Abnormal : TTL Low (TTL type)			
Operating Temperature	-30°C ~ +70°C			
Connector Type	SMA – Female			
Case Dimension	84 × 50 × 17 [mm]			

Functional Diagram



Dimensions in mm



RFHIC Corporation (RFHIC) reserves the right to make changes to any products herein or to discontinue any product at any time without notice. RFHIC do not assume any liability for the suitability of its products for any particular purpose, and disclaims any and all liability, including without limitation consequential or incidental damages. The product specifications herein expressed have been carefully checked and are assumed to be reliable. However, RFHIC disclaims liability for inaccuracies and strongly recommends buyers to verify that the information they are using is current before placing purchase orders. RFHIC products are not intended for use in life support equipment or application where malfunction of the product can be expected to result in personal injury or death. Buyer uses or sells such products for any such unintended or unauthorized application, buyer shall indemnify, protect and hold RFHIC and its directors, officers, stockholders, employees, representatives and distributors harmless against any and all claims arising out of such use. RFHIC's liability under or arising out of damages, claims of whatsoever kind and nature which RFHIC products could cause shall be limited in amount to the net purchase price of the products sold to buyer by RFHIC.